



NOTES:

1. MATERIAL:

HOUSING: HIGH TEMP THERMOPLASTIC, UL94V-0  
 TERMINAL: COPPER ALLOY  
 PLATING: 50 $\mu$  MIN NICKEL UNDERPLATING OVER ALL  
 1: GOLD FLASH  
 D: 30 $\mu$  GOLD ON CONTACT AREA  
 120 $\mu$  MIN MATT TIN ON SOLDER AREA

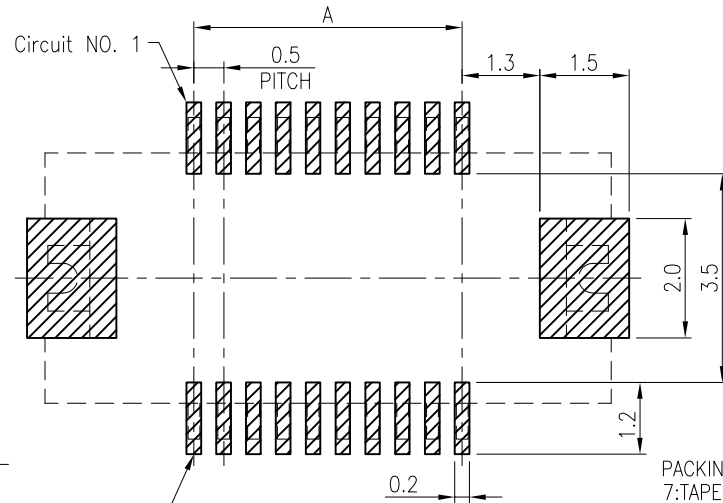
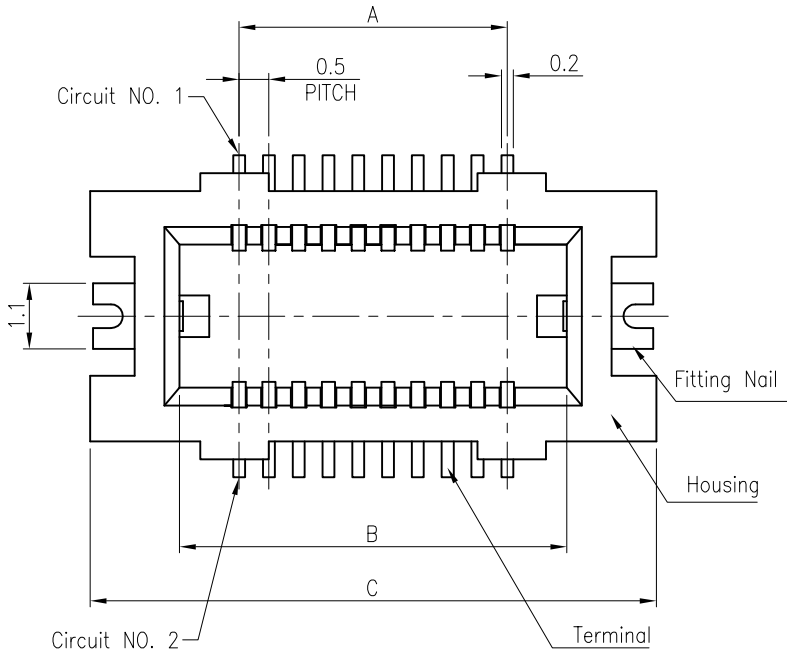
FITTING NAIL: COPPER ALLOY  
 PLATING: 50 $\mu$  MIN NICKEL UNDERPLATING OVER ALL  
 1: GOLD FLASH  
 D: 80 $\mu$  MIN MATT TIN

2. THE SPEC PLS REFER TO PS-50021-XXXX-XXX  
 3. THE PACKING DRAWING PLS REFER TO 88397-XXXX-TRP.  
 4. PART NUMBER  
 50023-XXX X X-XXX

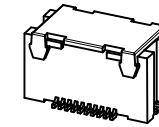
|           |     |               |              |
|-----------|-----|---------------|--------------|
| NO OF CKT | XXX | Housing Color | Halogen Free |
|           | 001 | Black         | <b>HF</b>    |

PACKING  
 7: TAPE & REEL WITH COVER.  
 8: TUBE WITH COVER.

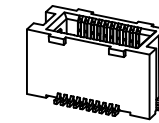
PLATING  
 1: GOLD FLASH  
 D: 30 $\mu$  GOLD ON CONTACT AREA



RECOMMENDED PCB LAYOUT  
 GENERAL TOLERANCE  $\pm 0.05$

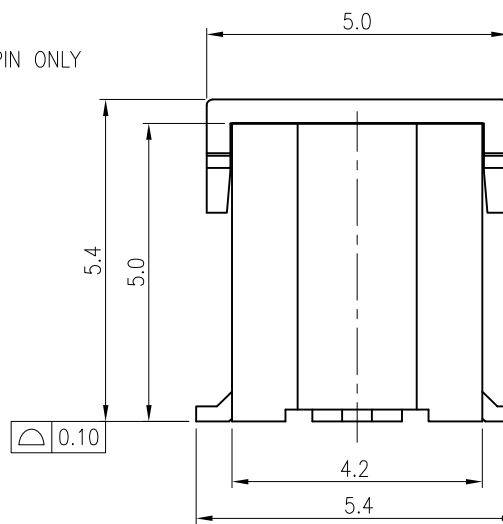
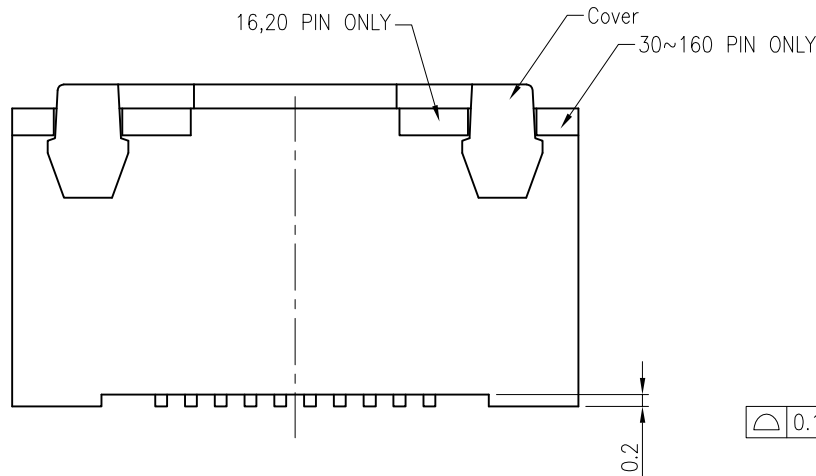


WITH COVER



WITHOUT COVER

| CKT | DIM A | DIM B | DIM C |
|-----|-------|-------|-------|
| 16  | 3.5   | 5.5   | 8.5   |
| 20  | 4.5   | 6.5   | 9.5   |
| 30  | 7.0   | 9.0   | 12.0  |
| 40  | 9.5   | 11.5  | 14.5  |
| 50  | 12.0  | 14.0  | 17.0  |
| 60  | 14.5  | 16.5  | 19.5  |
| 70  | 17.0  | 19.0  | 22.0  |
| 80  | 19.5  | 21.5  | 24.5  |
| 100 | 24.5  | 26.5  | 29.5  |
| 120 | 29.5  | 31.5  | 34.5  |
| 160 | 39.5  | 41.5  | 44.5  |
| 200 | 49.5  | 51.5  | 54.5  |



|  |  |   |                      |
|--|--|---|----------------------|
| 一般公差<br><b>TOLERANCES</b><br>X $\pm 0.5$ XX $\pm 0.15$<br>X $\pm 0.25$ XXX $\pm 0.1$<br>ANGLES $\pm 2^\circ$                           |  | <b>宏致電子股份有限公司</b><br>Aces Electronics Co., Ltd. |                      |
| 檢驗尺寸標示<br>SYMBOLS $\odot$ $\ominus$ INDICATE CLASSIFICATION DIMENSION<br>$\odot$ MARK IS CRITICAL DIM.<br>$\ominus$ MARK IS MAJOR DIM. | 品名 (TITLE)<br>0.5mm BTB D/R CONN.<br>SMT S/T TYPE (WITH COVER) | 製圖 (DR)<br>17/01/12<br>校對 (CHKD)<br>ANDREW      | LLJ                  |
| 圖號 (DWG.NO)<br>50023-XXXX-XXX  | 圖號 (DWG.NO)<br>50023-XXXX-XXX                                  | 審核 (APPD)<br>CHARLESLEE                         |                      |
| 表面處理 (FINISH)  | 比例 (SCALE)<br>8:1  | 單位 (UNITS)<br>mm                                | 張數 (SHEET)<br>1 OF 1 |
|  |  |   | 尺寸 (SIZE)<br>A4      |
|  |  |   | REV<br>B             |